



MEFE
MITCHELL ENGINEERING
FOOD EQUIPMENT PTY LTD

Operation Manual



Sensor Tap Adaptor

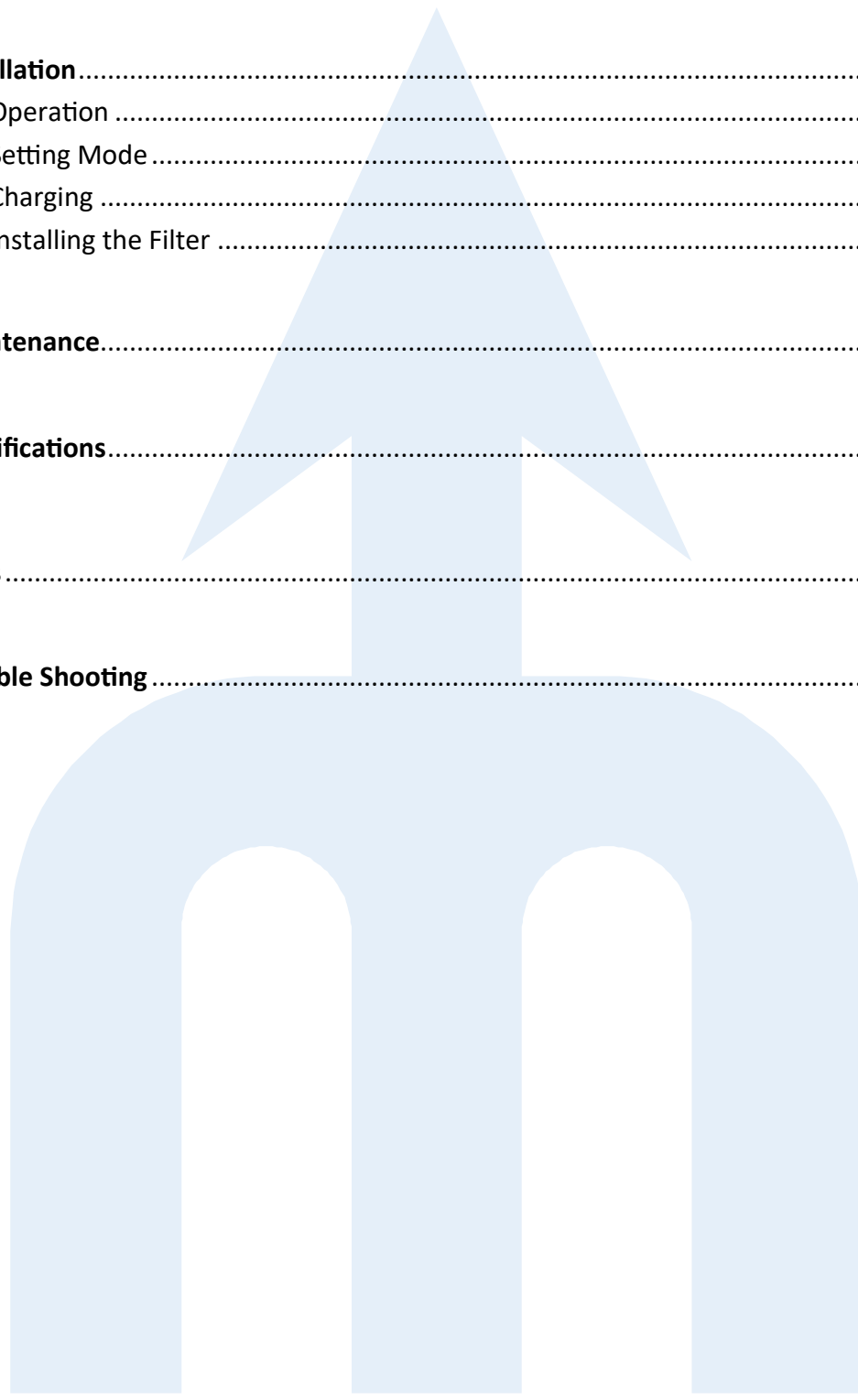
Kitchen

CAT 67801

Revision 2

Contents

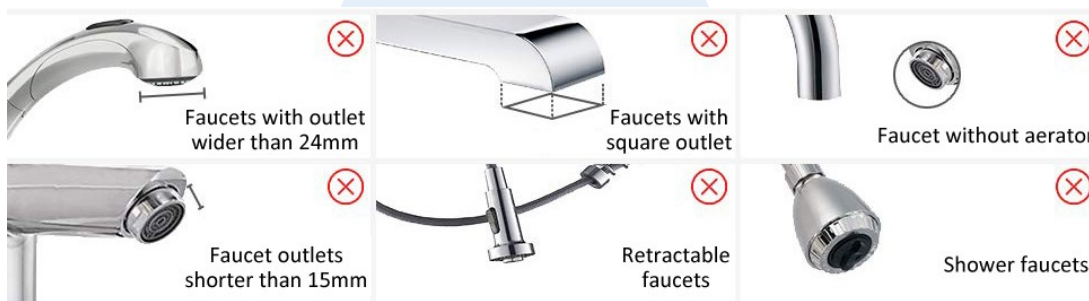
1. Before Use	3
1.1 Product Overview	3
2. Installation	4
2.1 Operation	5
2.2 Setting Mode	5
2.3 Charging	6
2.4 Installing the Filter	7
3. Maintenance	7
4. Specifications	8
5. Parts	8
6. Trouble Shooting	9



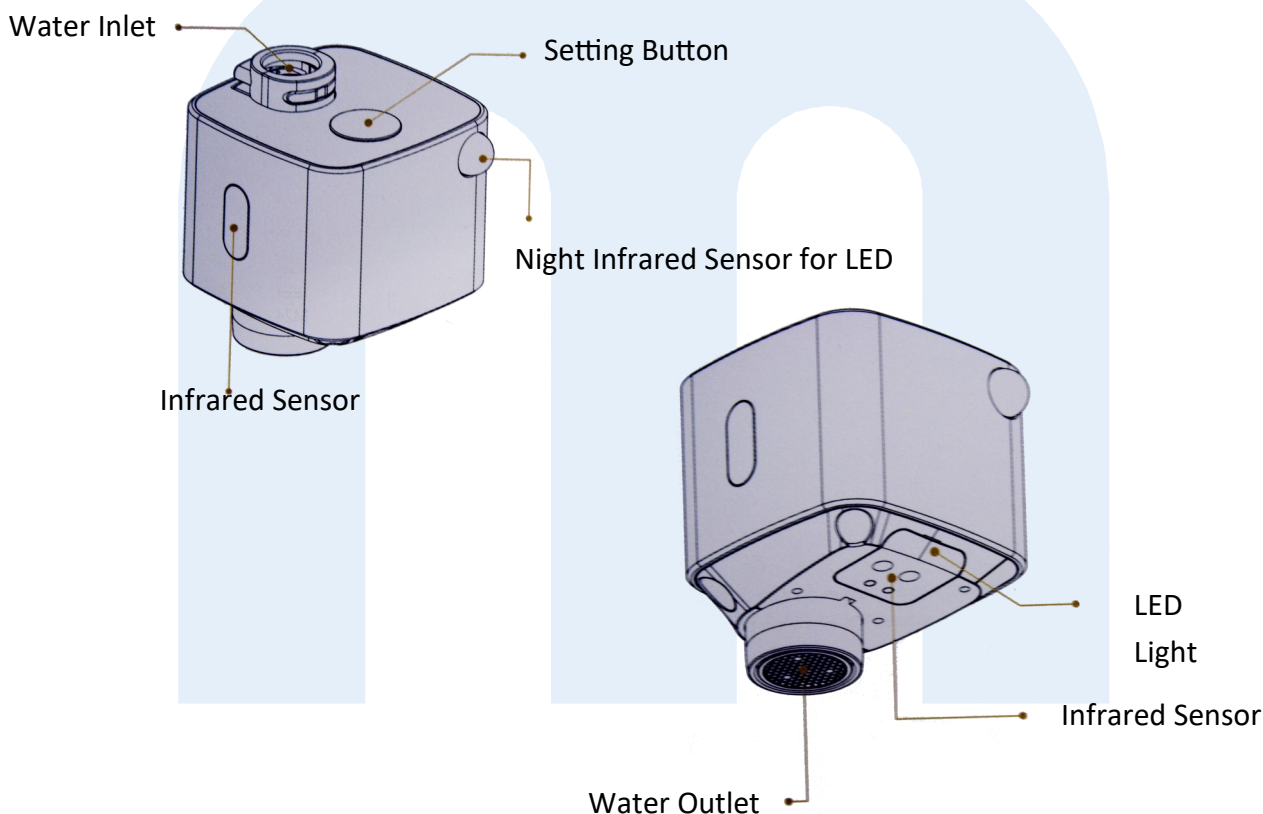
1. Before Use

- Please note the battery must be charged in full before use. To charge simply connect the magnetic USB, charging time is an estimated 4 hours. When it is fully charged the LED light should go off. When the charging is complete, please remove the USB plug. Please do not remove the power cable out of the USB plug.
- Please do not squeeze/knot the cable or use the charging cable if the cable surface is damaged.
- Using the product with turbidity water supplies will damage the product, the product is only compatible with municipal water supplies.
- Exposing the product to strong and direct sunlight or over 55°C hot water will damage the product.
- Using the product in overly damp or dusty environments will damage the product.
- Exposing the product to temperatures under 0°C will damage the product.
- Rinsing the product in water will damage the product.

This adaptor is not compatible with the following types of faucet:

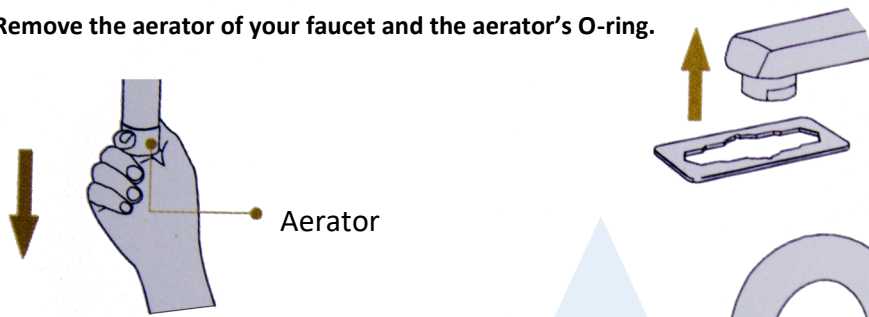


1.1 Product Overview

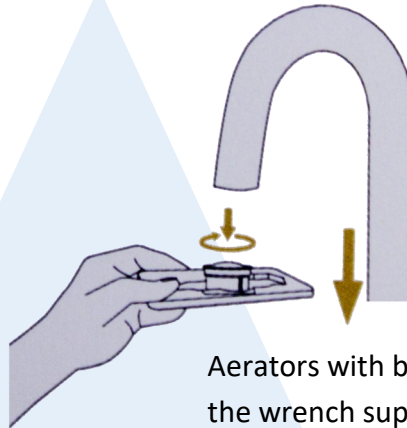


2. Installation

Step 1: Remove the aerator of your faucet and the aerator's O-ring.



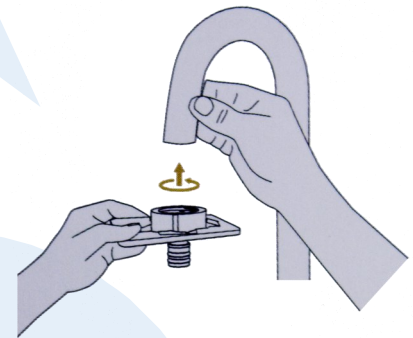
Aerators with a smooth surface can be detached by using your hands.



Aerators with bayonet can be detached with the wrench supplied.

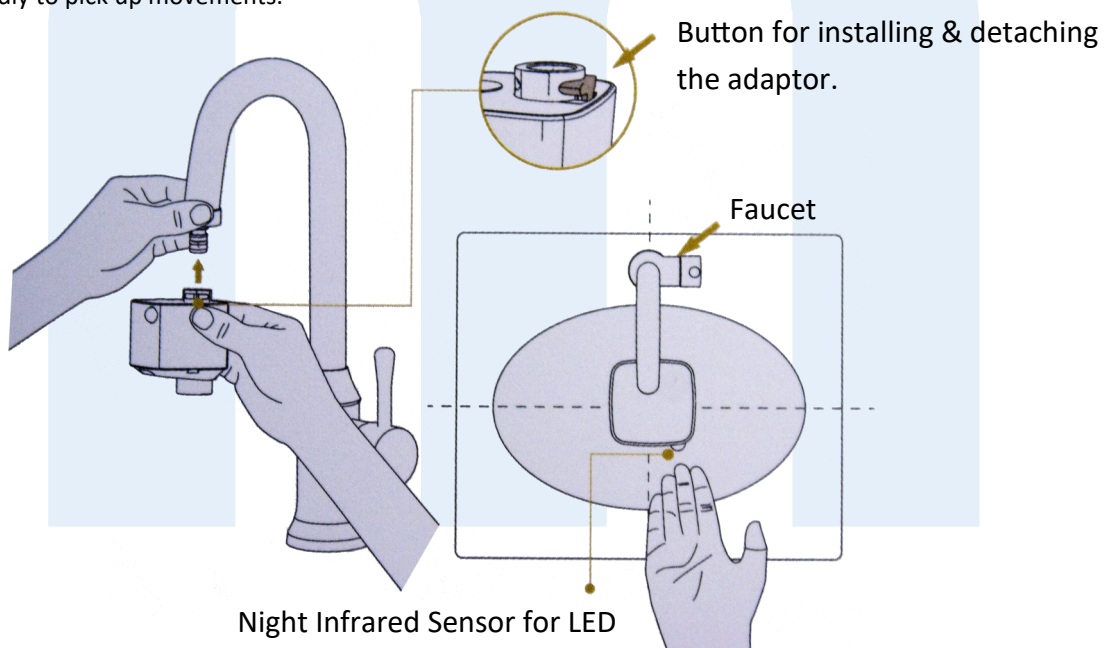
Step 2: Install the Connector

Find a connector that fits your faucet. Replace the aerator with the connector by attaching the connector then tightening with the wrench supplied.



Step 3: Install the Adaptor

Push the water inlet of the adaptor into the connector until you hear a click. Make sure that the LED night infrared sensor is directed outwardly to pick up movements.

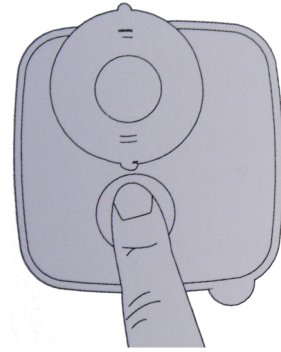


2.1 Operation

Power on the adaptor by pressing and holding the setting button for 3 seconds.

Please note the battery must first be fully charged.

There are two sensors: side sensor for continuous use and underside sensor for short use.



Side Sensor

Move your hand beside the side infrared sensor to activate water flow. Water will continuously flow for 3 minutes unless stopped. To turn the water off, you must move your hand over the side sensor again (Figure 1). Please note, if you activate water flow via the side sensor you cannot turn it off using the underside sensor. You must use the side sensor again.

Underside Sensor

Move your hand / object below the underside infrared sensor to activate water flow. Remove your hand/object to turn off water (Figure 2).

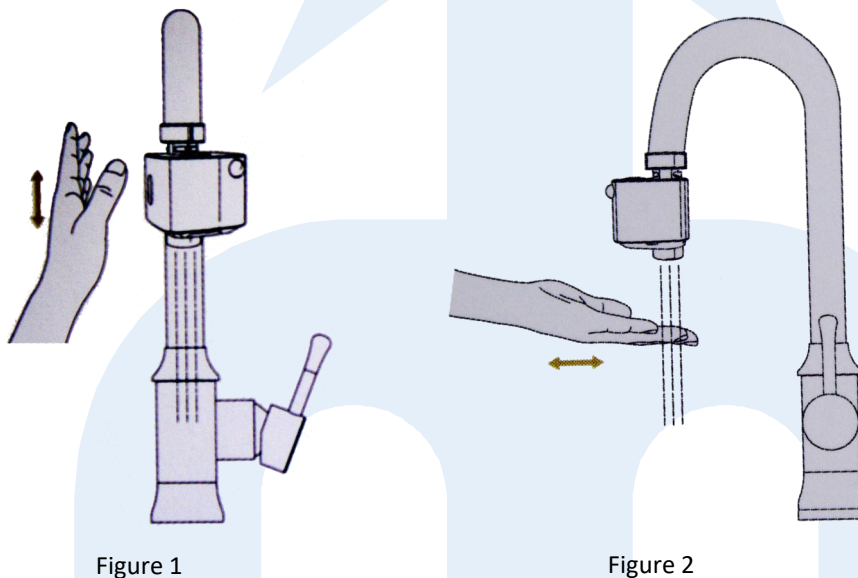


Figure 1

Figure 2

2.2 Setting Mode

The Setting Mode is used to configure the night light function, adjust the sensing range, and power the device on/off.

To activate Setting Mode, press and hold the setting button until the LED blinks white. Release the setting button and immediately press it again to switch between three different functions.

Each function is indicated by a different light colour:

The **green** light indicates that you can turn on/off the LED night light function.

The **red** light indicates that you can shut down the device.

The **purple** light indicates that you can start adjusting the underside sensor range.

Night light Function

Activate the setting mode, and press and hold the button, switch the light colour to green, release the button, the green light will blink for several times, after the light goes off, the night light function will be successfully turned on/off.

To change the colour of the LED night light press the button at 2-3 second intervals and release the button to choose the colour you want. The adaptor has 7 modes (white, blue, red, green, purple, yellow, and aqua).

Adjust Sensing Range

Turn off your faucet, activate the setting mode, switch the colour to purple. When the light flashes a few times and then automatically changes its colour to blue, position your hand at the desired distance under the underside sensor, do not move your hand until the light stops blinking and goes off.

The maximum sensing range of the underside sensor is 30cm.

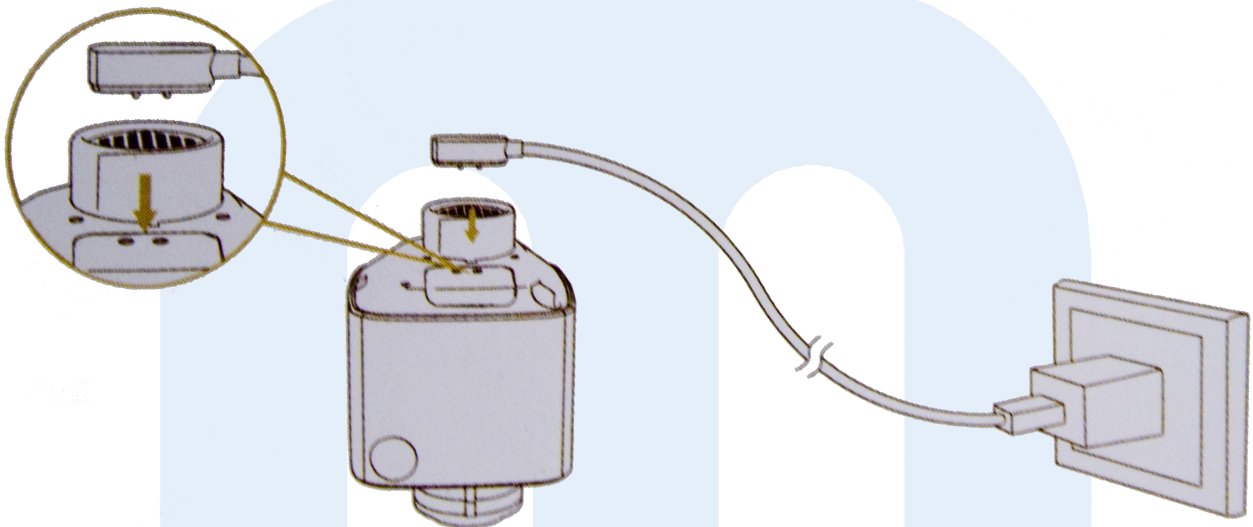
Power Off

Activate the setting mode, switch the light colour to red, after the light flashes a few times and goes off, the device will automatically shut down.

2.3 Charging

Power off the device and remove it from your faucet. Connect the USB interface to a USB plug, put the plug in a socket.

Place the magnetic charging cable on the charging interface of the adaptor.



Charging time is approximately 4 hours. Depending on use, the battery should last 8—10 months per charge. When the LED light is blinking red this indicates low battery.

2.4 Installing the Filter

Remove the adaptor nozzle by hand, then remove the bubbler inside of the nozzle (Figure 3).

Put the filter aerator and the filter aerator's O-ring into the nozzle. Switch the nozzle back to the adaptor (Figure 4).

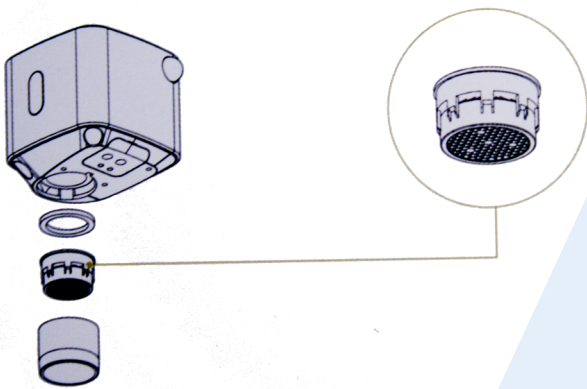


Figure 3

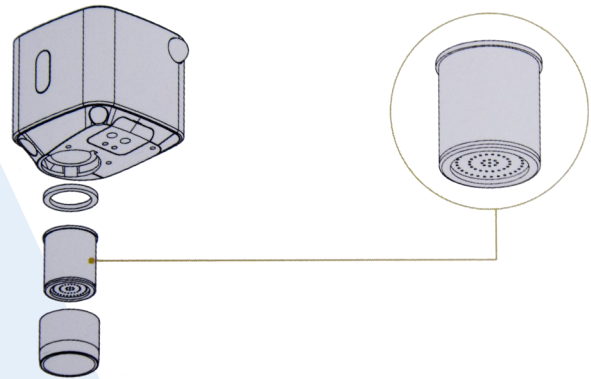


Figure 4

Caution: The average serving life of the filters is 30 days (depending on the quality of the water), we recommend you replace the filter every 30 days.

3. Maintenance

To prolong the life of the adaptor, please clean the filters or replace as necessary and keep the surface of the adaptor dry.

Charge the product when the red light that indicates low power is blinking.

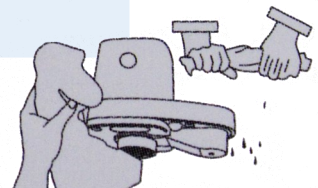
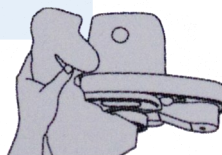
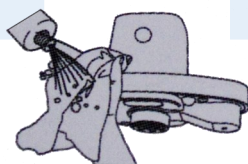
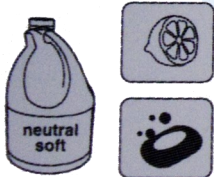
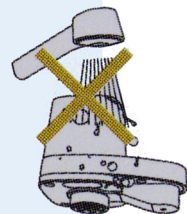
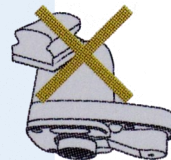
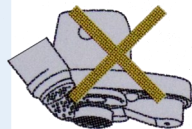
Do not dismantle the product, dismantling the product requires professional skills.

If the product will be left unused for 1-2 weeks, please turn off the faucet. If it will be unused for over 2 weeks, please remove the device and store it in a clean and dry environment.

Cleaning

Do not clean the product with the following chemicals or you will damage the product:

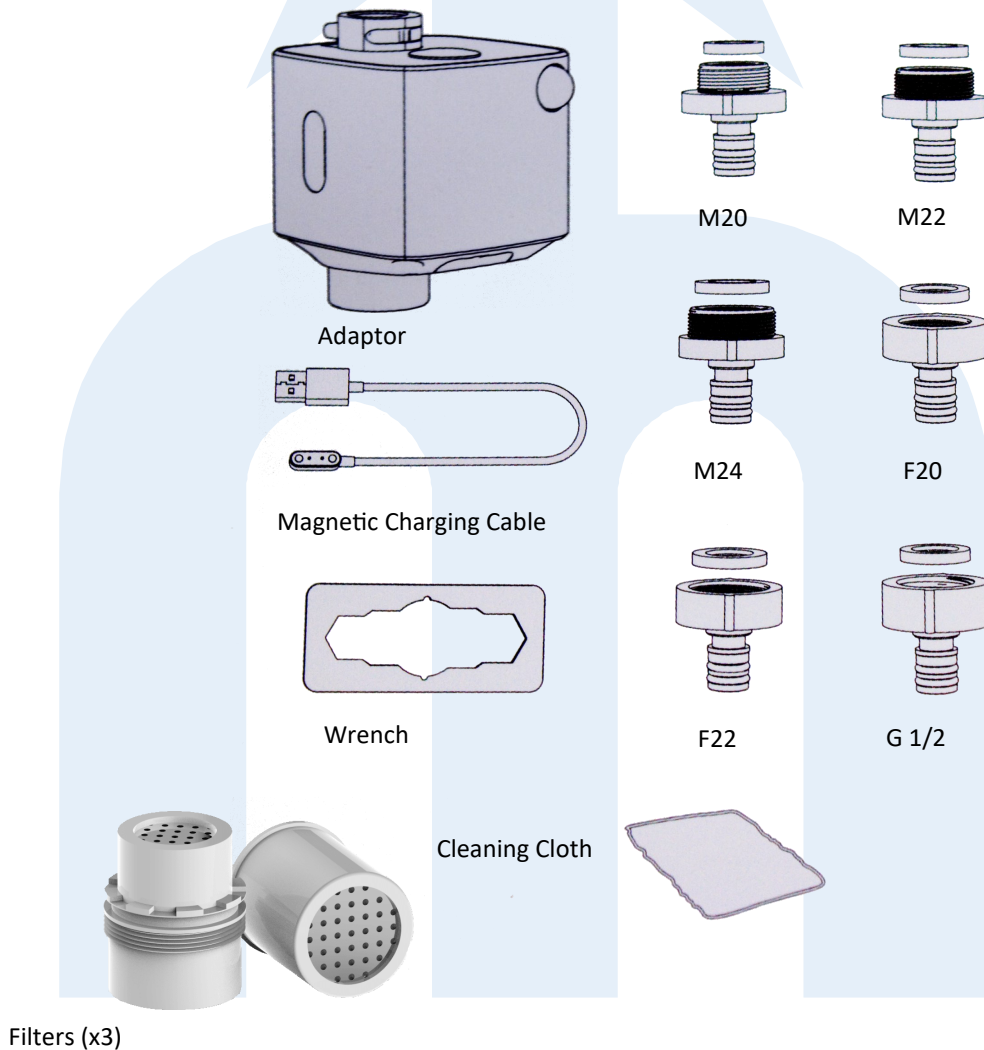
- Acid cleaning agent, chlorinated bleach, alkaline cleaning agent, banana oil, gasoline, decontamination powder, Other cleaning agents containing particles, nylon brush or other kinds of harsh brush.



4. Specifications

Weight	480g
Dimensions	58.4 x 55 x 77mm
Colour	Rose Gold
Material	Aluminium Alloy
Sensors	Infrared Sensor
Night Light	Motion Sensor LED
Battery	1.40mAh Lithium Ion with Magnetic USB charging cable
Charging Time	4 hours (lasts for 8-10 months per charge)
Water Temperature	1°C—55°C
Water Pressure	0.05-0.7 Mpa
Water Inflow Volume	Dependent on individual user's tap
Water Outflow Volume	5—6 litres

5. Contents





6. Trouble Shooting

Question	Possible Cause	Solution
No water flow	<ol style="list-style-type: none"> 1. The battery is out of charge 2. Water supply is cut off 3. The filter in the adaptor is clogged 	<ol style="list-style-type: none"> 1. Charge the battery 2. Check the water supply 3. Clean the filter 4. Check the water pressure
The device cannot be turned off	<ol style="list-style-type: none"> 1. The sensing range is too wide 2. The solenoid valve is clogged 3. There are stains on the sensor 	<ol style="list-style-type: none"> 1. Adjust the sensing range 2. Clean the solenoid valve 3. Make sure the surface of the sensor is clean
Water flow is weak	<ol style="list-style-type: none"> 1. The water supply is weak 2. The filter in the adaptor is clogged 3. Water pressure is too low 	<ol style="list-style-type: none"> 1. Check the water supply 2. Clean the filter 3. Check the water pressure
Water flow is too strong	<ol style="list-style-type: none"> 1. Water pressure is too high 	<ol style="list-style-type: none"> 1. Adjust the water pressure