

Installation Manual



Automatic Sensor Tap

Deck Mounted

CAT 67910
Chrome Plated

CAT 67910B
Matte Black

CAT 67910G
Gold Chrome Plated

CAT 6791032
Chrome Plated

CAT 6791032B
Matte Black

CAT 6791032G
Gold Chrome Plated

Revision 4

Product Description

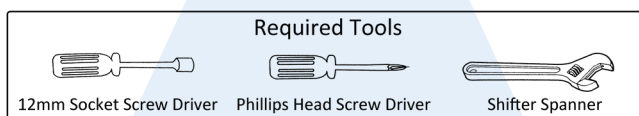
- This sensor tap is designed to turn on with sensor activation and off when hands are removed.
- Features a micro-computer infrared sensor control module, low consumption microprocessor chip with stable performance and high anti-interference.
- Automatically calibrates sensing range according to the environment and stores this into the electronic chip.
- A water saving aerator is used in the faucet to prevent water splash back and allow for a soft flow.
- Supplied with both AC 240V Transformer and DC 6V Battery Pack.
- The faucet has been precisely manufactured and tested, ensuring the quality of the product satisfies international standards.

Pre-Install Instructions

Please choose an appropriate basin before installation, avoid basins with strong reflective surfaces.

Please ensure all pipes have been flushed for at least 60 seconds and are clear of dirt and impurities (water must be clear).

Installation must be in accordance with the National Plumbing and Drainage standard – AS/NZS 3500.



Sensing Range

The sensor tap will automatically calibrate the sensing range when first connected to power. Please ensure the tap has been installed in the correct and final position before connecting to power. When connected to power the sensing light will flash indicating it is in programming mode, please do not interfere or obstruct for at least 60 seconds.

Specifications

Power	AC 240V or DC 6V 4 x AA alkaline batteries* (batteries not supplied)	Installation Diameter	Single hole (32mm)
Battery Life	150,000 cycles	Response Time	Less than 0.7 seconds
Sensing Range	Products before SN: 11044 Default approximately 10cm Products including and after SN: 11044 Default approximately 10cm Reprogrammed with remote achieves min 0 to 5 or max 0 to 20cm**	Water Stop Protection (Auto Shut Off)	Approx. 30 seconds
Working Temperature	1°C - 60°C	Flow Rate	Less than 3 L/s at 0.3Mpa
Working Pressure	0.07Mpa—0.7Mpa	Ambient Humidity	95% or less
Inlet Size	BSP 1/2" (DN15) male thread	Faucet Body Material	Standard #59 brass, chrome plated

* To reprogram sensing range use optional remote 673-100R.

** AA Alkaline batteries must be maximum 14mm in diameter. If it seems you are forcing the batteries please choose a different brand as AA batteries can range between 13.5 and 14.5mm in diameter. We recommend Energizer Max E91 AA batteries.



WaterMark Certified

Australia and New Zealand WaterMark certified with approved licence number WM-022559.



6 Star WELS Rating

This guarantees that the product is in accordance with the standard set under the National Water Efficiency Labelling and Standards and has the highest possible water efficiency rated 6 Stars. Licence number 1718.



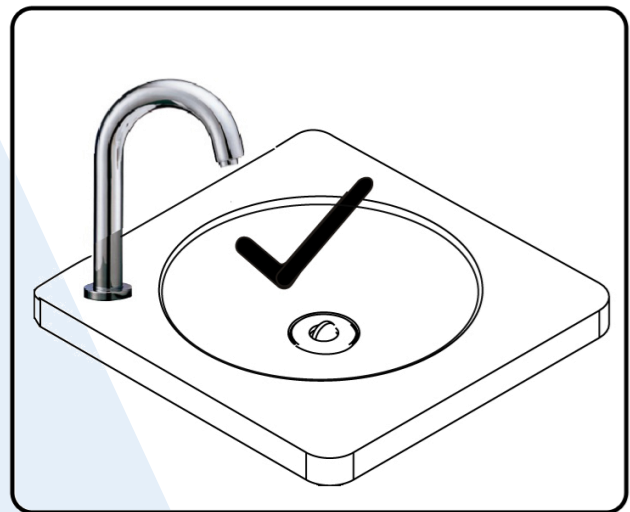
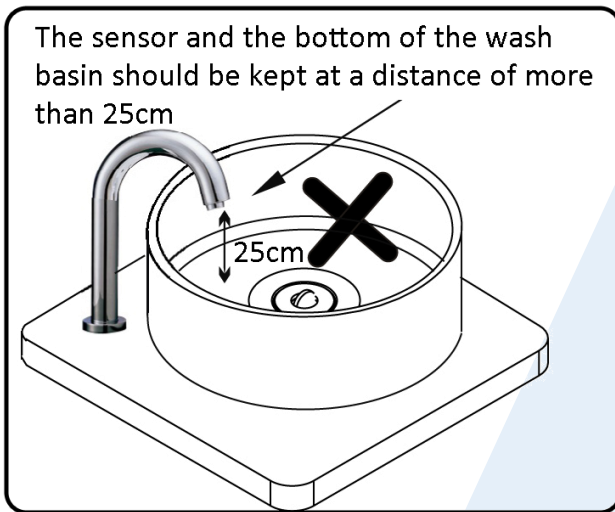
DDA Compliant

Suitable for use for AS 1428.1 design and access requirements when installed in reference to AS 1428.1 2009 Amendment 1 and the intent of the Disability Discrimination Act (DDA).

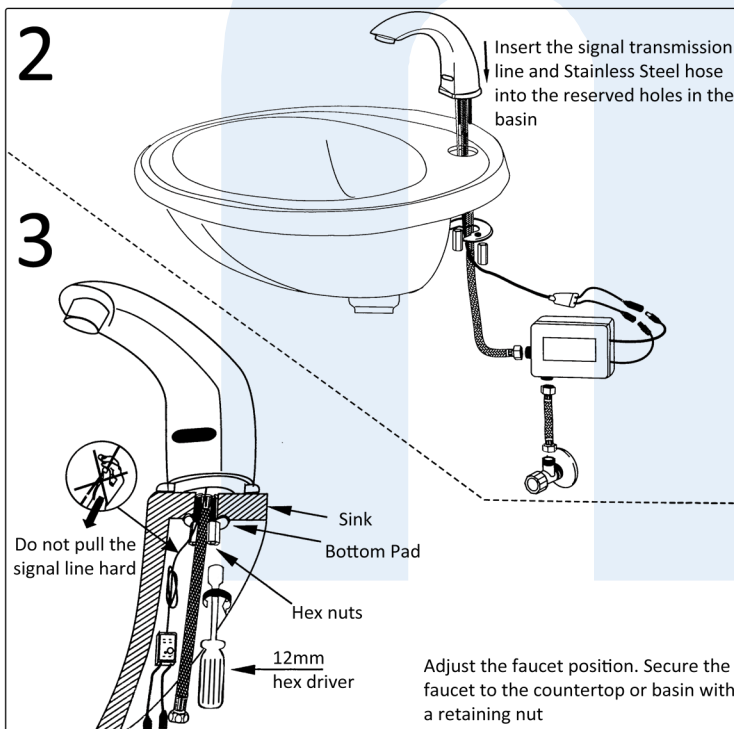
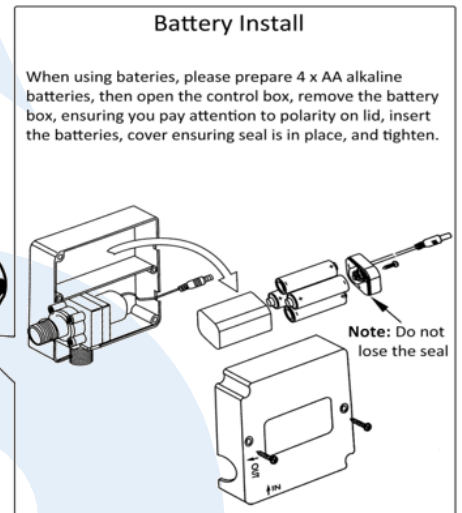
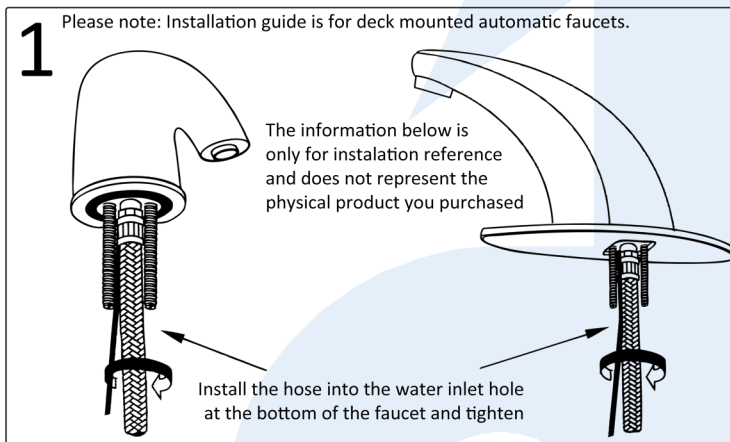
Choosing the Correct Basin

IMPORTANT:

Please avoid stainless steel and other highly reflective basins as these reflections can cause interference with the sensor.



Installation



4

Pay attention to the direction of the solenoid valve plug, **do not** insert in reverse

1. Ensure there is a shut off valve installed at the wall connection.
2. Fix the housing box to the wall.
3. Connect the other end of the hose coming from the faucet body to the water outlet of the control box.
4. Use a 20cm long hose with 1/2" nut on both sides. Connect the water outlet of the shut off valve, and the water inlet of the control box.
5. Insert the sensor cable into the socket on the control box.
6. When the power is turned on, the LED on the sensor controller wil flash 3 times.

5

Place your hand under the water outlet and the solenoid valve will make a click
The LED in the sensor will flash. Water is activated. Remove hand and water will stop. Place supplied red or blue dot on head of faucet to identify hot or cold water

Optional: Hot and Cold Mixer

- 2 x Watermarked Braided Hoses (flexible) with a DN15 nut on both ends
- (673-058L 120cm / 673-058 100cm)
- 1 x Watermarked Mixer Valve (CAT 67 M2)

Fault Check

Our sensor tap range is primarily divided into three components: the sensor, the solenoid valve, and the power supply. The solenoid valve and power supply are universal and interchangeable parts across our range of same type taps. The sensor is specific to each spout type.

If you have other sensor taps or spare parts available it can be helpful to trouble shoot by swapping parts until the faulty part is identified.

Cleaning and Maintenance

Issue	Cause
No water flow	Check the power supply: if using batteries, carefully check the correct polarity of the batteries and replace. The sensor light should flash indicating the tap is entering programming mode.
No water flow	Check the sensor: After confirming power is OK, if the sensor light does not flash, replace the sensor.
No water flow	Check the solenoid valve: place your hands under the faucet, you should hear a click of the solenoid valve indicating the sensor is working normally. This means water is not supplied or unable to flow. Check the solenoid valve for obstruction—the solenoid diaphragm may be blocked. Opening and cleaning the solenoid may be necessary, or replace the solenoid
Low water flow	Check the solenoid valve: A leaking faucet with a constant slow flow indicates the diaphragm is not sealing due to debris or it may be cracked or torn. Replace the diaphragm or the complete solenoid valve.
Intermittent water flow	Check the sensing range: This is most likely caused by a failure to program sensing range correctly due to interference from a reflective basin. We recommend you remove power for 2 minutes, then reconnect and allow the sensor to adjust to a short sensing range. It can be beneficial to place cardboard at the bottom of the basin when recalibrating the sensing range to remove interference from strong reflections.
Water does not stop flowing	Check the solenoid valve: If the faucet does not stop flowing it may be that the solenoid valve is faulty and should be replaced. The diaphragm is not sealing due to debris or it may be cracked or torn. Replace the diaphragm or the complete solenoid valve.

Regular cleaning is essential to keep your tap looking its best.

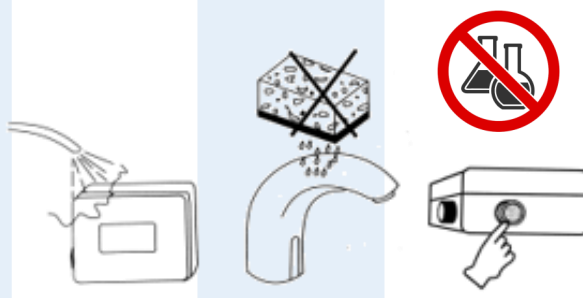
Do not rinse the control box with water.

Do not use abrasive or chemical cleaners (including chlorine to clean the faucet as this can dull lustre and finish of the tap).

Wash only in soap water and dry with a clean soft towel or microfibre cloth.

When cleaning the general area please ensure you **protect the faucet from any cleaning acids or fluids as this can discolour or remove the chrome plating where applicable.**

The filter screen on the solenoid valve inlet should be cleaned regularly to avoid excessive blockage and obstruction caused by impurities resulting in low water flow.





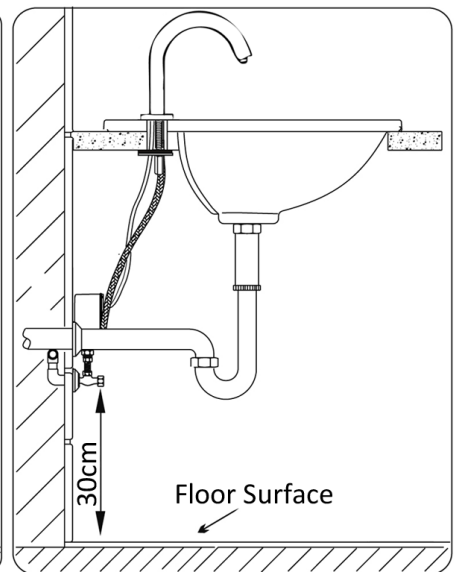
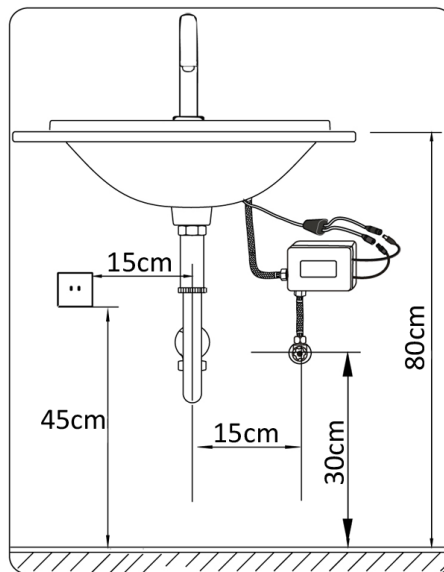
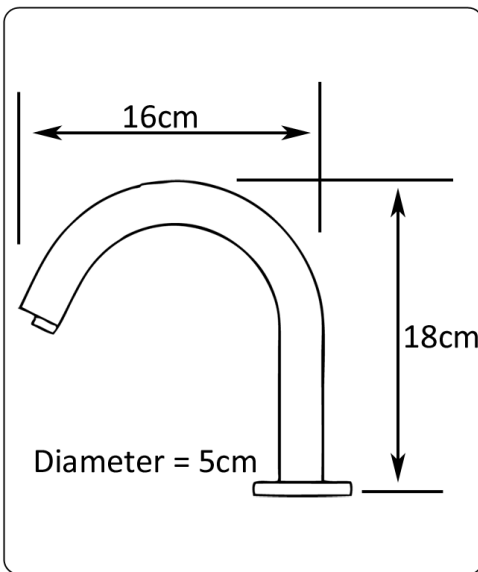
The more stars the more water efficient

WATER RATING
www.waterrating.gov.au

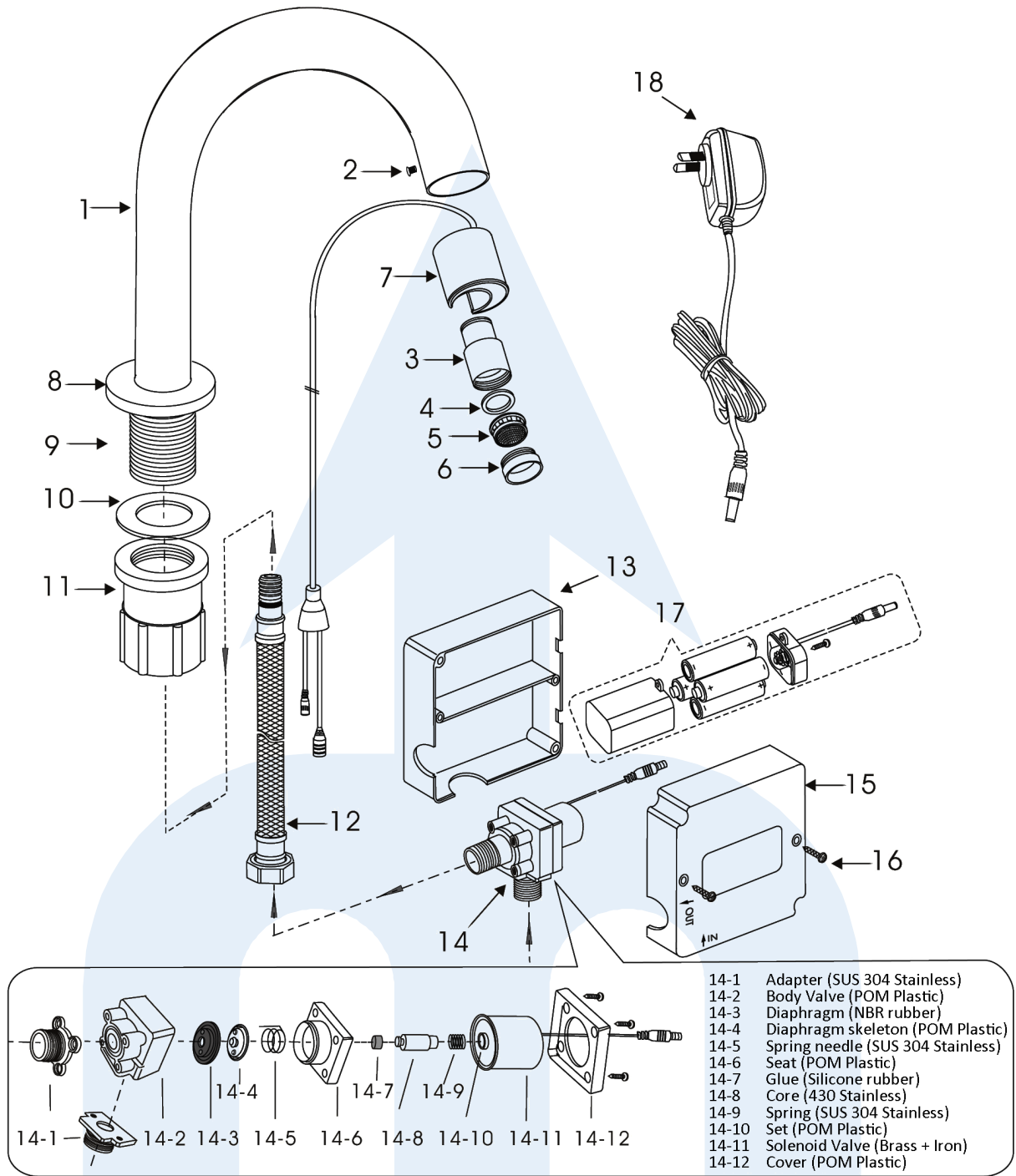
4.5 litres per minute

In accordance with AS/NZS 6400

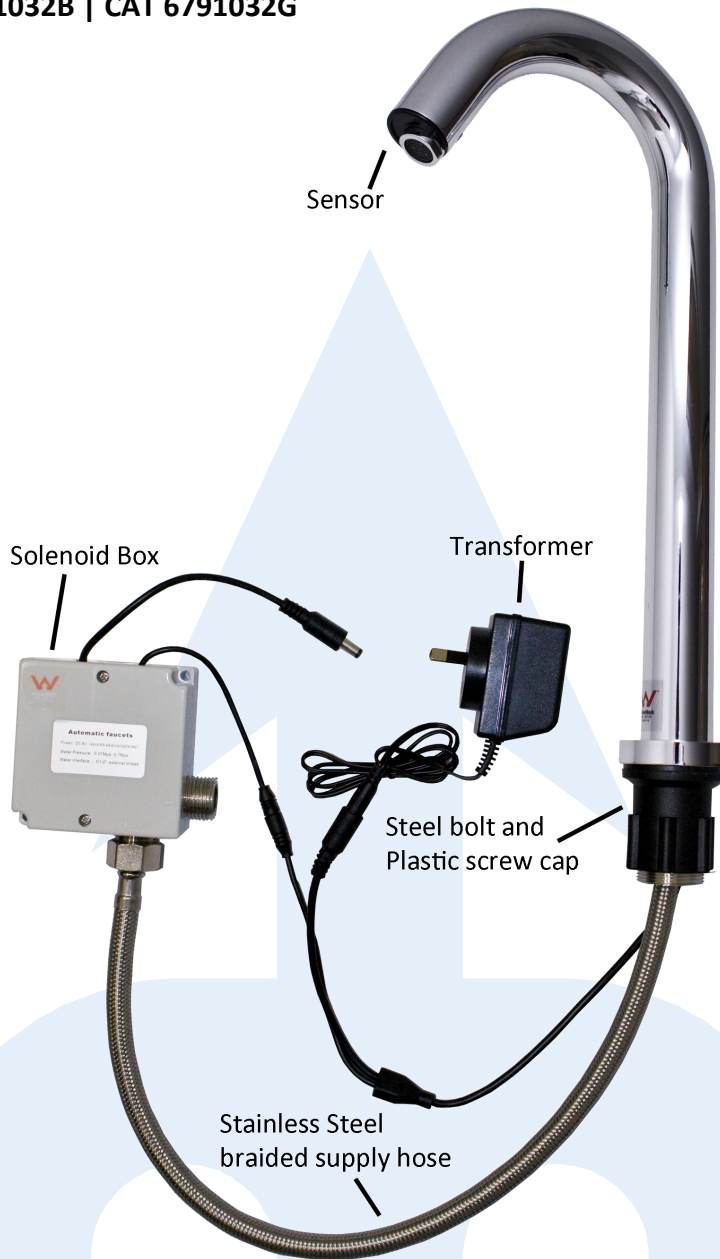
Licence No. 1718
Mitchell Engineering Food Equipment Pty Ltd



CAT 67910 Automatic Faucet Exploded View



No.	Part #	Description	Material	No.	Part #	Description	Material
1.	679-100	Faucet Body	Brass CW602N	10.	679-109	Mat	NBR Rubber
2.	673-045	Screw	SUS 304 Stainless Steel	11.	679-110	Copper Nut	POM Plastic + Brass
3.	673-054C	Spout Adapter	Brass CW602N	12.	673-058L	Braided Hose	SUS 304 Stainless WMKA21505
4.	673-054B	Rubber Mat	NBR Rubber	13.	679-120	Housing	ABS Plastic
5.	673-054	Aerator	POM Plastic	14.	679-122	Solenoid Valve	POM Plastic WMKA21177
6.	673-054A	Spout Shell	Brass CW602N	15.	679-120	Housing	ABS Plastic
7.	673-106	Sensor	Electronic Hardware	16.	679-127	Screw	SUS 304 Stainless Steel
8.	679-107B	Cover	Brass CW602N	17.	679-121	Battery Box	ABS Plastic
9.	679-108	S/Steel Bolt	SUS 304 Stainless Steel	18.	679-128	Power Adaptor	Electronic Hardware



The more stars the more water efficient

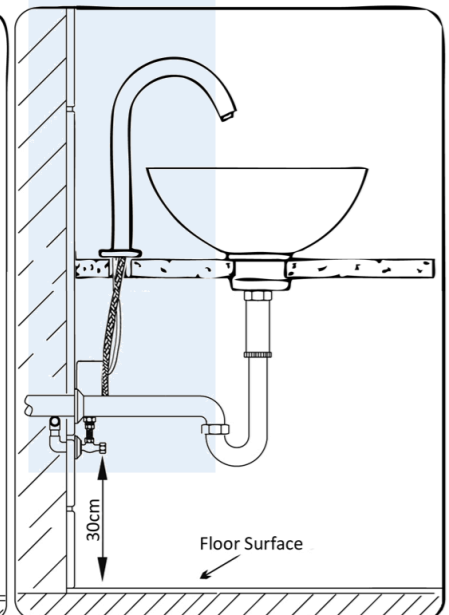
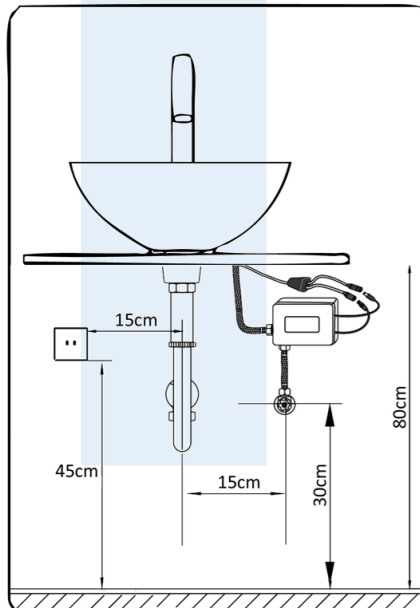
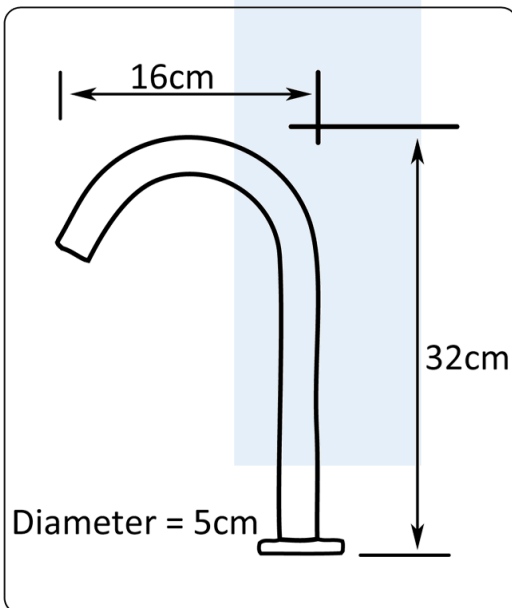
WATER RATING
www.waterrating.gov.au

4.5 litres per minute

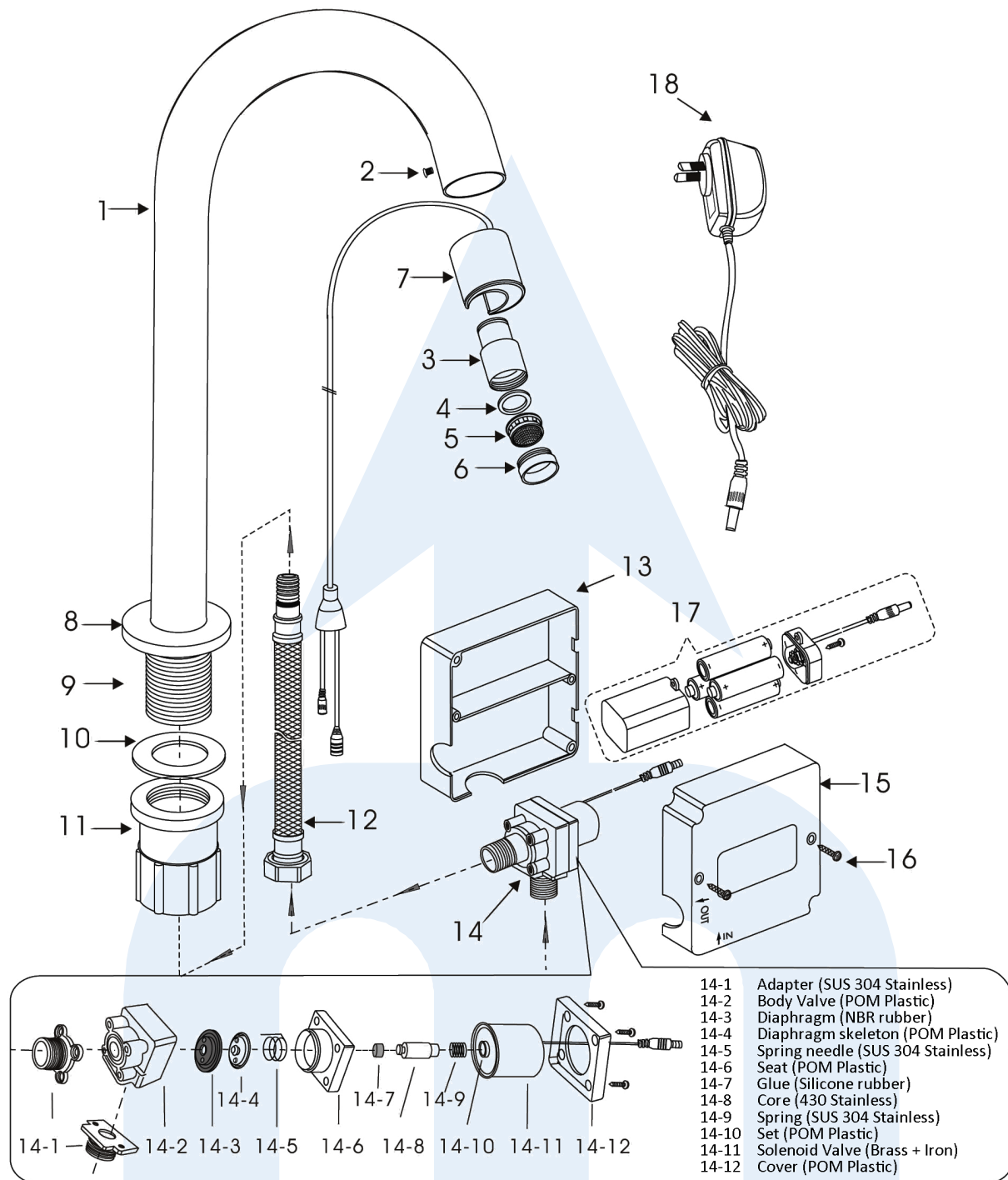
In accordance with AS/NZS 6400

Licence No. 1718
Mitchell Engineering Food Equipment Pty Ltd

WaterMark
WM - 022559
AS/NZS 3718



CAT 6791032 Automatic Faucet Exploded View



No.	Part #	Description	Material	No.	Part #	Description	Material
1.	679-103-200	Faucet Body	Brass CW602N	10.	679-109	Mat	NBR Rubber
2.	673-045	Screw	SUS 304 Stainless S	11.	679-110	Copper Nut	POM Plastic + Brass
3.	673-054C	Spout Adapter	Brass CW602N	12.	673-058L	Braided Hose	SUS 304 Stainless
4.	673-054B	Rubber Mat	NBR Rubber	13.	679-120	Housing	ABS Plastic
5.	673-054	Aerator	POM Plastic	14.	679-122	Solenoid Valve	POM Plastic + SUS 304 S Steel
6.	673-054A	Spout Shell	Brass CW602N	15.	679-120	Housing	ABS Plastic
7.	673-106	Sensor	Electronic Hardware	16.	679-127	Screw	SUS 304 Stainless Steel
8.	679-107B	Cover	Brass CW602N	17.	679-121	Battery Box	ABS Plastic
9.	679-108	S/Steel Bolt	SUS 304 Stainless S	18.	679-128	Power Adaptor	Electronic Hardware